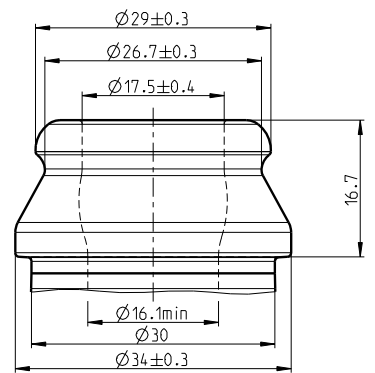
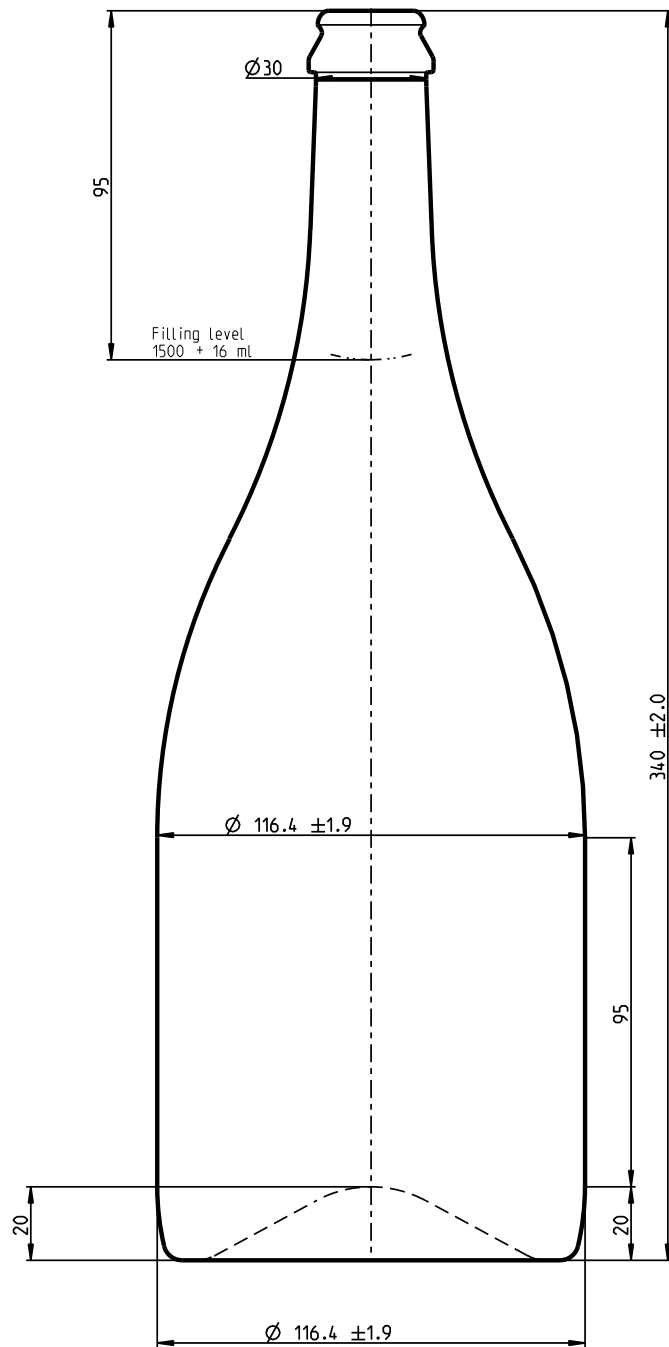


# CHAMPAGNE

Magnum



KMC  
G L A S S



- ⑧ Champagne Magnum
- ⑧ Weight - 1300 g
- ⑧ Filling CAP - 1500 ± 16 ml
- ⑧ Color - Olive Green
- ⑧ Diameter - 116.4 ± 1.9
- ⑧ Entrance bore diameter - 17.5

www.kmc.glass  
sales@kmc.glass

**KMC**  
GLASS